

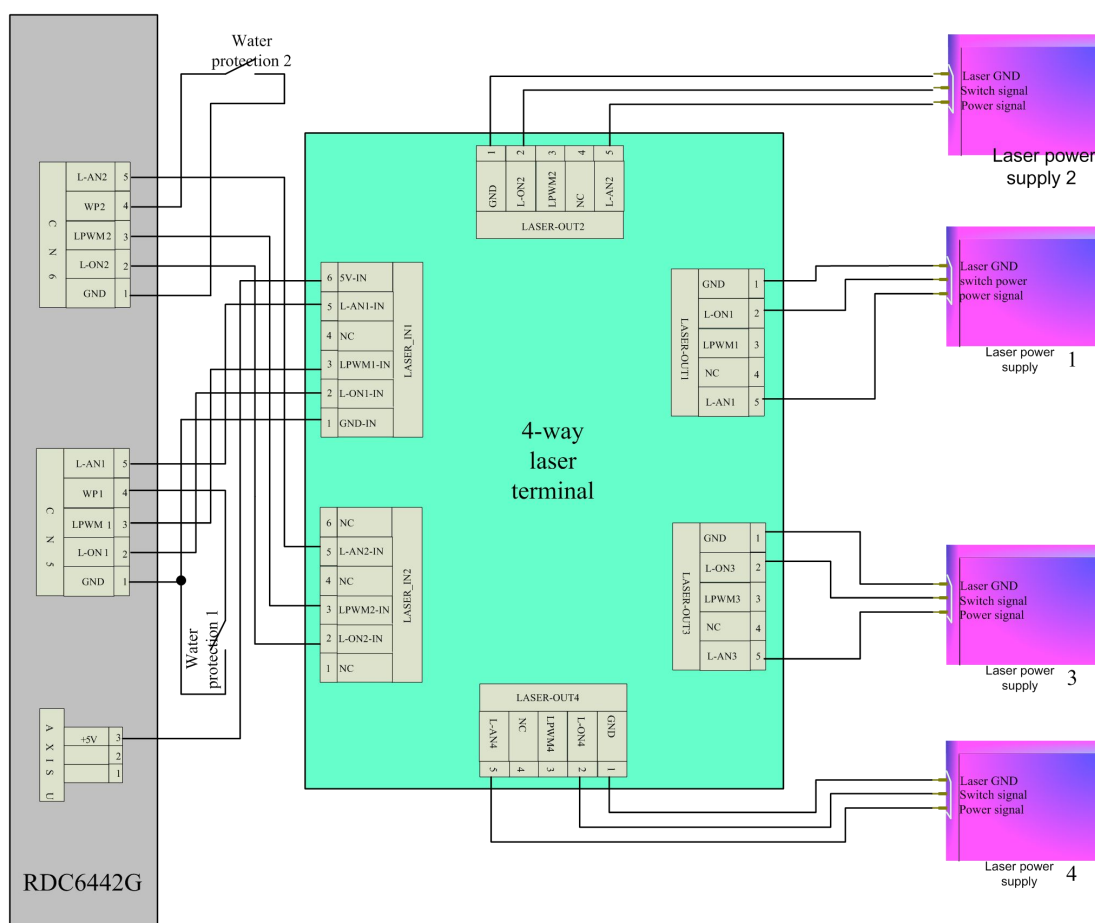
RDC6442G-4-way Laser Expansion Board Wiring Instruction

Ver: 1.00

Time: 2015.01.24

RDC6442XG laser engraving/cutting controller can total control two-way independent laser source, the maximum and minimum power can be adjusted separately without interference. In order to achieve 4-way laser power source, there is need of expansion board. The wiring diagram of RDC6442XG controller and expansion board combined control 4-way laser power source as followed:

The wiring as the picture showed, LASER_OUT1 interface & LASER_OUT2 interface controlled by one control source, LASER_OUT3 & LASER_OUT4 controlled by another control source.



Notice: The power supply of laser expansion board are PIN 1 & PIN 6 of LASER_IN1, PIN1 is GND, PIN6 is 5V, so you should connect PIN6 to one 5V terminal of four controller driver interface, due to the strong power supply capacity of 5V terminal of X/Y/Z/U driver interface.